

The background of the page is a dark blue-grey color. A large, diagonal white line cuts across the upper half of the image. Below this line, there is a photograph of the interior of a dishwasher, showing the upper and lower racks. The racks are white and have a curved, ribbed design. The word "asber" is printed in a black, lowercase, sans-serif font on the upper part of the dishwasher's interior. In the top right corner, the "asber" logo is displayed in white, consisting of a horizontal bar with three yellow segments followed by the word "asber" in a lowercase, sans-serif font.

asber

Grand Series
Pass-through dishwashers
Catalogue

NEW Pass-Through dishwashers

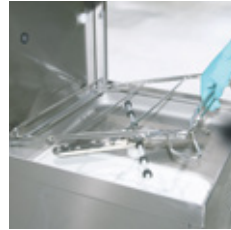
Features





Anti-friction guides

Lifts smoothly and easily with no tight spots, thereby reducing operator fatigue and increasing productivity.



Hinged rack support

Facilitates cleaning.



Large opening

440 mm hood opening permits washing GN 1/1 containers and big size dishes or glasses.



Double filtering

With progressively decreasing mesh size, traps dirt during washing and emptying.



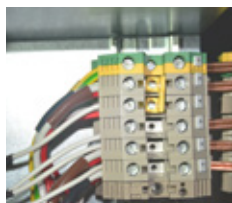
Press-moulded tank

The wash chamber is free of internal pipes and sharp corners.



Perimetral handle

Facilities operation without buckling or jamming if the handle is grasped from a corner.



Multi-Power and Multi-Voltage

Selectable heating power and voltage at the installation.



Powerfull washing pump

Permits optimum cleaning results.



**Electronic interface on hood (U)
- Supreme range**

Control panel at eye level to improve ergonomics and productivity.



Double skin hood - option (P)

With thermally-acoustically insulated hood. Helps soundproof the machine, creating a quieter work environment and reducing the heat loss.



Heat recovery (RC) - option

Collects and condenses the steam released by the machine after a full wash cycle and heats the inlet water by between 10 and 25 °C, improving its energy efficiency.



Pass-Through dishwashers Easy Line



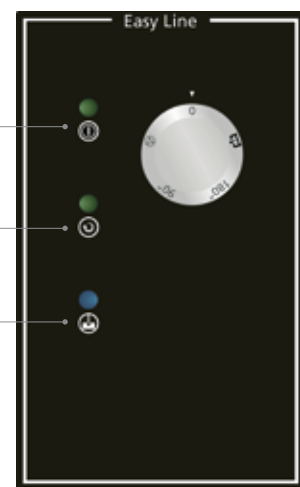
GEX-H500



500x500



Lower washing and rinsing arms
+ composite material filter



Machine ON LED
indicator

Working indicator

Optimal temperature
LED indicator

Control Panel

GEX-H500

- Electromechanical control panel.
- 2 washing cycle of 90"/180".
- Tank capacity: 33 l./Heating power: 4.5 kW.
- Boiler capacity: 7 l./Heating power: 6.0 kW.
- Wash pump power: 0.75 kW.
- Rinsing consumption: 2.6 l/rinse.
- Upper and lower washing and rinsing arms.
- Stainless steel washing arms.
- Built-in rinse-aid dispenser.
- Anti backflow valve fitted.
- Tank filter in composite material.
- Single skin hood.
- Safety thermostat in washing tank and boiler.
- Temperature adjustment: wash 60 °C and rinse 85 °C.
- Multi-Voltage: 400V 3N, 230V 3~, 230V 1N.
- Adjustable boiler heating power (Multi-Power).
- Accessories supplied: 1 basket CP-16/18, 1 basket CT-10 and 1 basket for cutlery CU-7.

OPTIONAL MODELS WITH

- Double skin hood.
- Built-in drain pump.
- Built-in electric rinse-aid dispenser.
- Built-in detergent dispenser.
- Wash tank stainless steel filter.
- Stainless steel rinsing arms.
- 60 Hz version.

Model	Reference	Baskets/hour	Door clearance (mm)	Dimensions (mm)	Detergent dispenser	Drain pump	Power (kW)	Voltage (V)
GEX-H500	19104672	40	440	630 x 750 x 1482	No	No	11.25	400V 3N 50Hz
GEX-H500 DD	19104673	40	440	630 x 750 x 1482	Yes	No	11.25	400V 3N 50Hz
GEX-H500 B	19104674	40	440	630 x 750 x 1482	No	Yes	11.25	400V 3N 50Hz
GEX-H500 B DD	19104675	40	440	630 x 750 x 1482	Yes	Yes	11.25	400V 3N 50Hz



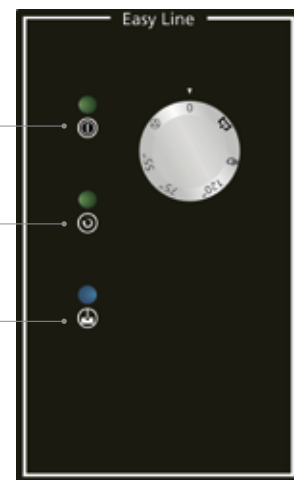
500x500



GEX-H510



Lower washing and rinsing arms
+ composite material filter



Control Panel

GEX-H510

- Electromechanical control panel.
- 3 washing cycles: 55°/75°/120°.
- Continuous cycle up to the manual stop.
- Tank capacity: 33 l./Heating power: 4.5 kW.
- Boiler capacity: 7 l./Heating power: 9.0 kW.
- Wash pump power: 0.75 kW.
- Rinsing consumption: 2.6 l/rinse.
- Upper and lower washing and rinsing arms.
- Stainless steel washing arms.
- Built-in rinse-aid dispenser.
- Anti backflow valve fitted.
- Tank filter in composite material.
- Single skin hood.
- Safety thermostat in washing tank and boiler.
- Temperature adjustment: wash 60 °C and rinse 85 °C.
- Multi-Voltage: 400V 3N, 230V 3~, 230V 1N.
- Adjustable boiler heating power (Multi-Power).
- Accessories supplied: 1 basket CP-16/18, 1 basket CT-10 and 1 basket for cutlery CU-7.

OPTIONAL MODELS WITH

- Double skin hood.
- Built-in drain pump.
- Built-in electric rinse-aid dispenser.
- Built-in detergent dispenser.
- Wash tank stainless steel filter.
- Stainless steel rinsing arms.
- 60 Hz version.

Model	Reference	Baskets/hour	Door clearance (mm)	Dimensions (mm)	Detergent dispenser	Drain pump	Power (kW)	Voltage (V)
GEX-H510	19104676	65	440	630 x 750 x 1482	No	No	14.25	400V 3N 50Hz
GEX-H510 DD	19104677	65	440	630 x 750 x 1482	Yes	No	14.25	400V 3N 50Hz
GEX-H510 B	19104678	65	440	630 x 750 x 1482	No	Yes	14.25	400V 3N 50Hz
GEX-H510 B DD	19104679	65	440	630 x 750 x 1482	Yes	Yes	14.25	400V 3N 50Hz



Pass-Through dishwashers Mitte Line



GMX-H500



500x500



Lower washing and rinsing arms
+ composite material filter

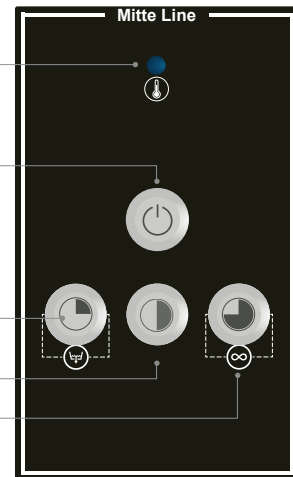
Optimal temperature
LED indicator

ON/OFF

Fast cycle/Tank
emptying

Medium cycle

Long cycle



Control panel

GMX-H500

- Electronic control panel.
- 3 washing cycles: 90°/120°/180°.
- Continuous cycle up to the manual stop.
- Tank capacity: 33 l./Heating power: 4.5 kW.
- Boiler capacity: 7 l./Heating power: 6.0 kW.
- Wash pump power: 0.75 kW.
- Rinsing consumption: 2.6 l/rinse.
- Upper and lower washing and rinsing arms.
- Stainless steel washing arms.
- Thermostop function.
- Built-in rinse-aid dispenser.
- Anti backflow valve fitted.
- Tank filter in composite material.
- Single skin hood.
- Safety thermostat in washing tank and boiler.
- Temperature adjustment: wash 60 °C and rinse 85 °C.
- Multi-Voltage: 400V 3N, 230V 3~, 230V 1N.
- Adjustable boiler heating power (Multi-Power).
- Accessories supplied: 1 basket CP-16/18, 1 basket CT-10 and 1 basket for cutlery CU-7.

OPTIONAL MODELS WITH

- Double skin hood.
- Built-in drain pump.
- Built-in anti-backflow air gap system and rinse pump.
- Built-in electric rinse-aid dispenser (set up as default in W models).
- Built-in detergent dispenser.
- Wash tank stainless steel filter.
- Stainless steel rinsing arms.
- 60 Hz version.

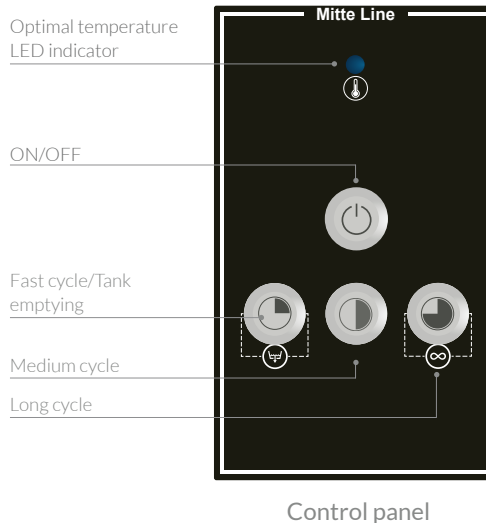
Model	Reference	Baskets/ hour	Door clearance (mm)	Dimensions (mm)	Detergent dispenser	Drain pump	Rinse pump	Power (kW)	Voltage (V)
GMX-H500	19106957	40	440	630 x 750 x 1482	No	No	No	11.25	400V 3N 50Hz
GMX-H500 DD	19106959	40	440	630 x 750 x 1482	Yes	No	No	11.25	400V 3N 50Hz
GMX-H500 B	19106970	40	440	630 x 750 x 1482	No	Yes	No	11.25	400V 3N 50Hz
GMX-H500 B DD	19106971	40	440	630 x 750 x 1482	Yes	Yes	No	11.25	400V 3N 50Hz
GMX-H500 W	19106972	40	440	630 x 750 x 1482	No	No	Yes	11.25	400V 3N 50Hz
GMX-H500 W DD	19106973	40	440	630 x 750 x 1482	Yes	No	Yes	11.25	400V 3N 50Hz
GMX-H500 B W	19106974	40	440	630 x 750 x 1482	No	Yes	Yes	11.25	400V 3N 50Hz
GMX-H500 B W DD	19106975	40	440	630 x 750 x 1482	Yes	Yes	Yes	11.25	400V 3N 50Hz



Lower washing and rinsing arms
+ composite material filter



GMX-H510



GMX-H510

- Electronic control panel.
- 3 washing cycles: 55°/75°/120°.
- Continuous cycle up to the manual stop.
- Tank capacity: 33 l./Heating power: 4.5 kW.
- Boiler capacity: 7 l./Heating power: 9.0 kW.
- Wash pump power: 0.75 kW.
- Rinsing consumption: 2.6 l./rinse.
- Upper and lower washing and rinsing arms.
- Stainless steel washing arms.
- Thermostop function.
- Built-in rinse-aid dispenser.
- Anti backflow valve fitted.
- Tank filter in composite material.
- Single skin hood.
- Safety thermostat in washing tank and boiler.
- Temperature adjustment: wash 60 °C and rinse 85 °C.
- Multi-Voltage: 400V 3N, 230V 3~, 230V 1N.

- Adjustable boiler heating power (Multi-Power).
- Accessories supplied: 1 basket CP-16/18, 1 basket CT-10 and 1 basket for cutlery CU-7.

OPTIONAL MODELS WITH

- Double skin hood.
- Built-in drain pump.
- Built-in anti-backflow air gap system and rinse pump.
- Built-in electric rinse-aid dispenser (set up as default in W models).
- Built-in detergent dispenser.
- Wash tank stainless steel filter.
- Stainless steel rinsing arms.
- 60 Hz version.

Model ¹	Reference	Baskets/ hour	Door clearance (mm)	Dimensions (mm)	Detergent dispenser	Drain pump	Rinse pump	Power (kW)	Voltage (V)
GMX-H510	19106977	65	440	630 x 750 x 1482	No	No	No	14.25	400V 3N 50Hz
GMX-H510 DD	19106979	65	440	630 x 750 x 1482	Yes	No	No	14.25	400V 3N 50Hz
GMX-H510 B	19106980	65	440	630 x 750 x 1482	No	Yes	No	14.25	400V 3N 50Hz
GMX-H510 B DD	19106981	65	440	630 x 750 x 1482	Yes	Yes	No	14.25	400V 3N 50Hz
GMX-H510 W	19106982	65	440	630 x 750 x 1482	No	No	Yes	14.25	400V 3N 50Hz
GMX-H510 W DD	19106983	65	440	630 x 750 x 1482	Yes	No	Yes	14.25	400V 3N 50Hz
GMX-H510 B W	19106984	65	440	630 x 750 x 1482	No	Yes	Yes	14.25	400V 3N 50Hz
GMX-H510 B W DD	19106985	65	440	630 x 750 x 1482	Yes	Yes	Yes	14.25	400V 3N 50Hz



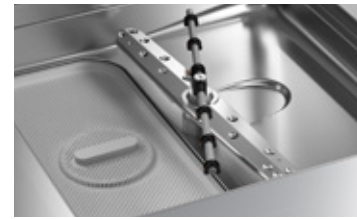
Pass-Through dishwashers Tech Line



GTX-H500



500x500



Lower washing and rinsing arms
+ composite material filter

Washing
temperature
display

Rinsing
temperature
display

ON/OFF

Fast cycle / Tank
emptying

Medium cycle

Long cycle



Control Panel

GTX-H500

- Electronic control panel.
- 3 washing cycles: 90° / 120° / 180°.
- Continuous cycle up to the manual stop.
- Tank capacity: 33 l. / Heating power: 4.5 kW.
- Boiler capacity: 7 l. / Heating power: 6.0 kW.
- Wash pump power: 0.75 kW.
- Rinsing consumption: 2.6 l./rinse.
- Upper and lower washing and rinsing arms.
- Stainless steel washing arms.
- Thermostop function.
- Wash tank and boiler temperature display.
- Built-in rinse-aid dispenser.
- Anti backflow valve fitted.
- Tank filter in composite material.
- Single skin hood.
- Safety thermostat in washing tank and boiler.
- Temperature adjustment: wash 60 °C and rinse 85 °C.
- Multi-Voltage: 400V 3N, 230V 3~, 230V 1N.
- Adjustable boiler heating power (Multi-Power).
- Accessories supplied: 1 basket CP-16/18, 1 basket CT-10 and 1 basket for cutlery CU-7.

OPTIONAL MODELS WITH

- Heat recovery.
- Double skin hood.
- Built-in drain pump.
- Built-in anti-backflow air gap system and rinse pump.
- Built-in electric rinse-aid dispenser (set up as default in W models).
- Built-in detergent dispenser.
- Wash tank stainless steel filter.
- Stainless steel rinsing arms.
- 60 Hz version.

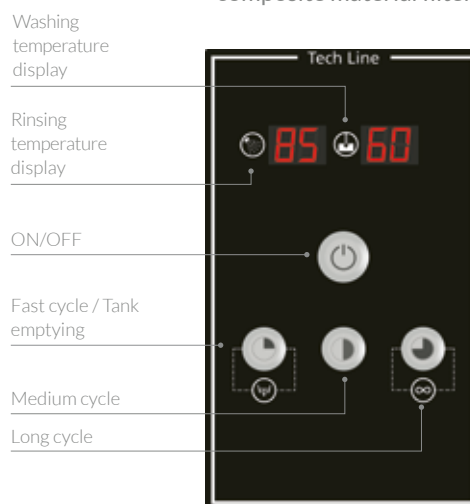
Model	Reference	Baskets / hour	Door clearance (mm)	Dimensions (mm)	Detergent dispenser	Drain pump	Rinse pump	Heat recovery	Power (kW)	Voltage (V)
GTX-H500	19104750	40	440	630 x 750 x 1482	No	No	No	No	11.25	400V 3N 50Hz
GTX-H500 DD	19104751	40	440	630 x 750 x 1482	Yes	No	No	No	11.25	400V 3N 50Hz
GTX-H500 B	19104752	40	440	630 x 750 x 1482	No	Yes	No	No	11.25	400V 3N 50Hz
GTX-H500 B DD	19104753	40	440	630 x 750 x 1482	Yes	Yes	No	No	11.25	400V 3N 50Hz
GTX-H500 W	19104754	40	440	630 x 750 x 1482	No	No	Yes	No	11.25	400V 3N 50Hz
GTX-H500 W DD	19104755	40	440	630 x 750 x 1482	Yes	No	Yes	No	11.25	400V 3N 50Hz
GTX-H500 B W	19104756	40	440	630 x 750 x 1482	No	Yes	Yes	No	11.25	400V 3N 50Hz
GTX-H500 B W DD	19104757	40	440	630 x 750 x 1482	Yes	Yes	Yes	No	11.25	400V 3N 50Hz



Lower washing and rinsing arms
+ composite material filter



GTX-H510



Control Panel

GTX-H510

- Electronic control panel.
- 3 washing cycles: 55° / 75° / 120°.
- Continuous cycle up to the manual stop.
- Tank capacity: 33 l. / Heating power: 4.5 kW.
- Boiler capacity: 7 l. / Heating power: 9.0 kW.
- Wash pump power: 0.75 kW.
- Rinsing consumption: 2.6 l./rinse.
- Upper and lower washing and rinsing arms.
- Stainless steel washing arms.
- Thermostop function.
- Wash tank and boiler temperature display.
- Built-in rinse-aid dispenser.
- Anti backflow valve fitted.
- Tank filter in composite material.
- Single skin hood.
- Safety thermostat in washing tank and boiler.
- Temperature adjustment: wash 60 °C and rinse 85 °C.
- Multi-Voltage: 400V 3N, 230V 3~, 230V 1N.
- Adjustable boiler heating power (Multi-Power).
- Accessories supplied: 1 basket CP-16/18, 1 basket CT-10 and 1 basket for cutlery CU-7.

OPTIONAL MODELS WITH

- Heat recovery.
- Double skin hood.
- Built-in drain pump.
- Built-in anti-backflow air gap system and rinse pump.
- Built-in electric rinse-aid dispenser (set up as default in W models).
- Built-in detergent dispenser.
- Wash tank stainless steel filter.
- Stainless steel rinsing arms.
- 60 Hz version.

Model	Reference	Baskets / hour	Door clearance (mm)	Dimensions (mm)	Detergent dispenser	Drain pump	Rinse pump	Heat recovery	Power (kW)	Voltage (V)
GTX-H510	19104758	65	440	630 x 750 x 1482	No	No	No	No	14.25	400V 3N 50Hz
GTX-H510 DD	19104759	65	440	630 x 750 x 1482	Yes	No	No	No	14.25	400V 3N 50Hz
GTX-H510 B	19104760	65	440	630 x 750 x 1482	No	Yes	No	No	14.25	400V 3N 50Hz
GTX-H510 B DD	19104761	65	440	630 x 750 x 1482	Yes	Yes	No	No	14.25	400V 3N 50Hz
GTX-H510 W	19104762	65	440	630 x 750 x 1482	No	No	Yes	No	14.25	400V 3N 50Hz
GTX-H510 W DD	19104763	65	440	630 x 750 x 1482	Yes	No	Yes	No	14.25	400V 3N 50Hz
GTX-H510 B W	19104764	65	440	630 x 750 x 1482	No	Yes	Yes	No	14.25	400V 3N 50Hz
GTX-H510 B W DD	19104765	65	440	630 x 750 x 1482	Yes	Yes	Yes	No	14.25	400V 3N 50Hz



Pass-Through dishwashers Supreme Line



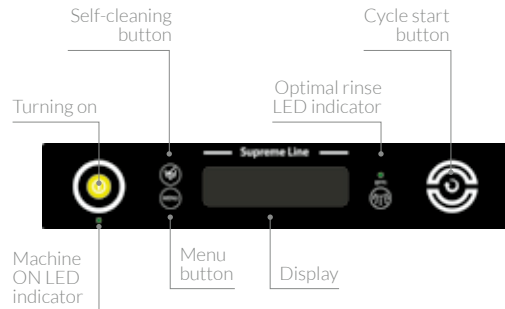
500x500



GSX-H510



Lower washing and rinsing arms
+ composite material filter with basket filter



Control Panel

GSX-H510

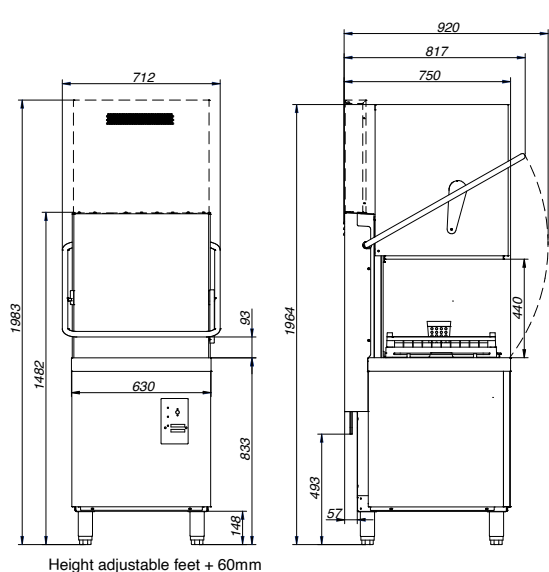
- Electronic control panel.
- 4 washing cycles of 55"/75"/120"/480".
- Specific glass washing cycle in compliance with DIN10511.
- Additional self-cleaning program.
- Tank capacity: 28 l. / Heating power: 2.1 kW.
- Boiler capacity: 7 l. / Heating power: 9.0 kW.
- Wash pump power: 0.75 kW.
- Rinsing consumption: 2.6 l/rinse.
- Upper and lower washing and rinsing arms.
- Stainless steel washing arms.
- Thermostop function.
- Built-in electric rinse-aid dispenser.
- Built-in drain pump.
- Built-in anti-backflow air gap system and rinse pump.
- Tank filter in composite material.
- Double skin hood.
- Electronic interface on hood.
- Safety thermostat in washing tank and boiler.
- Temperature adjustment: wash 60 °C and rinse 85 °C.
- Multi-Voltage: 400V 3N, 230V 3~, 230V 1N.
- Adjustable boiler heating power (Multi-Power).
- Accessories supplied: 1 basket CP-16/18, 1 basket CT-10 and 1 basket for cutlery CU-7.
- Water inlet temperature min.-max. in RC models: 15-25 °C.

OPTIONAL MODELS WITH

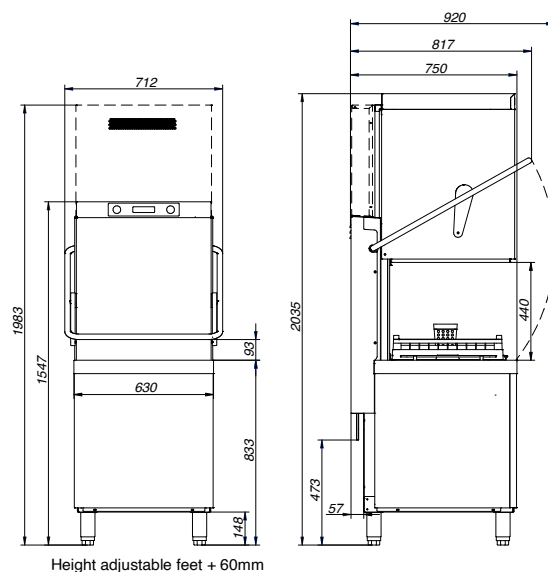
- Heat recovery.
- Built-in water softener.
- Wash tank stainless steel filter.
- Stainless steel rinsing arms.
- 60 Hz version.

Model	Reference	Baskets / hour	Door clearance (mm)	Dimensions (mm)	Detergent dispenser	Drain pump	Rinse pump	Water Softener	Heat recovery	Power (kW)	Voltage (V)
GSX-H510PUBWDD	19104766	65	440	630 x 750 x 1547	Yes	Yes	Yes	No	No	11.85	400V 3N 50Hz
GSX-H510SOFTPUBWDD	19104767	65	440	630 x 750 x 1547	Yes	Yes	Yes	Yes	No	11.85	400V 3N 50Hz

PASS-THROUGH DISHWASHERS



Easy/Mitte/Tech model



Supreme model

Multi-power and multi-voltage

Model	Voltage	Standard configuration	Fuse protection (A)	Total Amperage (A)	Total connected load (kW)	Connection (simultaneous/ alternete)	Tank power (kW)	Boiler power (kW)	Wash pump power (kW)
GEX-H500 GMX-H500 GTX-H500	380 V-415 V / 3N~		16	11.3	6.75	ALT	4.5	6	0.75
	380 V-415 V / 3N~	x	20	17.8	11.25	SIM	4.5	6	0.75
	220 V-240 V / 1N~		20	15.7	3.75	ALT	2.25	3	0.75
	220 V-240 V / 1N~		25	20	4.75	ALT	3	4	0.75
	220 V-240 V / 1N~		32	28.7	6.75	ALT	4.5	6	0.75
	220 V-240 V / 1N~		32	25.7	6.05	SIM	2.25	3	0.75
	220 V-240 V / 1N~		40	33	7.75	SIM	3	4	0.75
	220 V-240 V / 1N~		50	48.3	11.25	SIM	4.5	6	0.75
	230 V / 3~		20	17.7	6.75	ALT	4.5	6	0.75
230 V / 3~		32	29	11.25	SIM	4.5	6	0.75	
GEX-H510 GMX-H510 GTX-H510	380 V-415 V / 3N~		20	15.7	9.75	ALT	4.5	9	0.75
	380 V-415 V / 3N~	x	25	22.2	14.25	SIM	4.5	9	0.75
	220 V-240 V / 1N~		25	22.2	5.25	ALT	2.3	4.5	0.75
	220 V-240 V / 1N~		32	28.7	6.75	ALT	3	6	0.75
	220 V-240 V / 1N~		50	41.8	9.75	ALT	4.5	9	0.75
	220 V-240 V / 1N~		40	32	7.55	SIM	2.3	4.5	0.75
	220 V-240 V / 1N~		50	41.8	9.75	SIM	3	6	0.75
	230 V / 3~		32	25.2	9.75	ALT	4.5	9	0.75
230 V / 3~		40	36.5	14.25	SIM	4.5	9	0.75	
GSX-H510	380 V-415 V / 3N~	x	20	18.7	11.85	SIM	2.1	9	0.75
	220 V-240 V / 1N~		32	26.7	6.35	SIM	1.1	4.5	0.75
	220 V-240 V / 1N~		40	34.8	8.15	SIM	1.4	6	0.75
	230 V / 3~		40	30.5	11.85	SIM	2.1	9	0.75



Dishwashers Options

Optionals

	GEX-H500	GEX-H510	GMX-H500	GMX-H510	GTX-H500	GTX-H510	GSX-H510
Heat recovery (RC) (1)	-	-	-	-	●	●	●
Double skin hood (P)	●	●	●	●	●	●	standard
Built-in drain pump (B)	●	●	●	●	●	●	standard
Built-in anti-backflow air gap system and rinse pump (W) (2) (5)	-	-	●	●	●	●	standard
Built-in water softener (SOFT) (5)	-	-	-	-	-	-	●
Built-in detergent dispenser (DD)	●	●	●	●	●	●	standard
Built-in rinse-aid dispenser	standard	standard	standard	standard	standard	standard	-
Built-in electric rinse-aid dispenser (RD) (3)	●	●	●	●	●	●	standard
Wash tank Stainless steel filter (F) (4)	●	●	●	●	●	●	●
Stainless steel washing arms (SA)	standard	standard	standard	standard	standard	standard	standard
Stainless steel rinsing arms (SA)	●	●	●	●	●	●	●
60 Hz version	●	●	●	●	●	●	●
UK version	-	-	-	-	-	-	-

(1) Water inlet temperature min.-max. in RC models: 15-25 °C.
The machine with RC is 1983 mm high.

(2) Built-in anti-backflow air gap system and rinse pump (W) is not compatible with water softener (SOFT) versions.

(3) Standard in versions with rinse pump (W).

(4) Water softener version is not compatible with stainless steel filters

(5) Cold rinsing (COLD) is not compatible neither with rinse pump (W) nor with water softener (SOFT) versions.

Accessories



CP-16/18



CT-10



CU-7

BASKETS FOR DISHWASHERS

- Manufactured from hygienic polypropylene in several colours, resistant to high temperatures and damage caused by chemical products.
- Moulded from one double-skinned piece which makes them highly resistant to mechanical shocks.
- Designed so that waste cannot be deposited, ensuring absolute hygiene and optimal protection for dishes.
- Ergonomic handle-type openings on all four sides of the racks to facilitate carrying, stacking and un-stacking.
- Available in different sizes and can be used in all glasswasher and dishwasher models.

Model	Reference	Description	For use in	Dimensions (mm)
CP-16/18	19000487	Universal 500 x 500 basket	Front Loading and Pass-Through dishwashers	500 x 500 x 110
CT-10	19104783	Universal 500 x 500 basket	Front Loading and Pass-Through dishwashers	500 x 500 x 110
CU-7	19104782	Cutlery basket	Front Loading and Pass-Through dishwashers	105 x 105 x 130

KITS FOR DRAINING PUMP

Model	Reference	Description	For use in
ABE-H500	19104768	Kit B pump GEX-H500 B	EASY-H500 Pass-Through dishwashers
ABE-H510	19104769	Kit B pump GEX-H510 B	EASY-H510 Pass-Through dishwashers
ABT-H	19104770	Kit B pump GMX and GTX	MITTE and TECH Pass-Through dishwashers

KITS FOR DETERGENT DISPENSER

Model	Reference	Description	For use in
ADD-H	19104771	Kit DD dispenser PT	All Pass-Through dishwashers

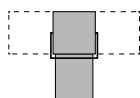


ENTRY/ EXIT TABLES FOR PASS-THROUGH DISHWASHERS



- Made of stainless steel.
- 850 mm height with stainless steel height-adjustable feet (-10 mm/+ 50 mm).
- Square section stainless steel legs 40 x 40 mm.
- Welded bowl 500 x 400 x 250 mm with rounded angles for easy and quick cleaning.
- Shower faucet not included but provided with a hole to place it.
- 100 mm splashback.
- Seamless hole for waste bin, totally leveled with the worktop surface.
- Delivered disassembled, quick installation and easy connection to pass-through dishwashers.

Plain table



Model	Reference	Dimensions (mm)
DTC-70	19104081	700 x 612 x 850

Plain table with splashback



Dimensions (mm)	Right model	Reference	Left model	Reference
700 x 750 x 850	DTW-70 R	19104160	DTW-70 L	19104159
1200 x 750 x 850	DTW-120 R	19104092	DTW-120 L	19104011

Table with bowl with splashback



Dimensions (mm)	Right model	Reference	Left model	Reference
700 x 750 x 850	DTWB-70 R	19104080	DTWB-70 L	19104079
1200 x 750 x 850	DTWB-120 R	19104078	DTWB-120 L	19104077

Table with bowl, sorting hole and splashback



Dimensions (mm)	Right model	Reference	Left model	Reference
1200 x 750 x 850	DTWBS-120 R	19104073	DTWBS-120 L	19103986
1500 x 750 x 850	DTWBS-150 R	19104075	DTWBS-150 L	19104074

Side closure



Model	Reference	Description
DSC-R	19104207	Right side closure
DSC-L	19104206	Left side closure

Union element for two hood dishwashers



Model	Reference	Dimensions (mm)
DTJ-14	19104269	140 x 750 x 350
DTJ-62	19104300	620 x 750 x 350

REPLACEMENT KIT

Reference	Description
19104907	Kit to adapt the old tables to the new 2024 Pass-Through dishwashers

 asber

www.asberprofessional.com

ONNERA POLAND Sp. z o.o.

Palmiry

ul. Warszawska 9

05-152 Czosnów

Tel: +48 22 312 00 12

export@onnerapoland.pl

ONNERA GROUP

www.onneragroup.com